

# SPIRO MÉGA inc.

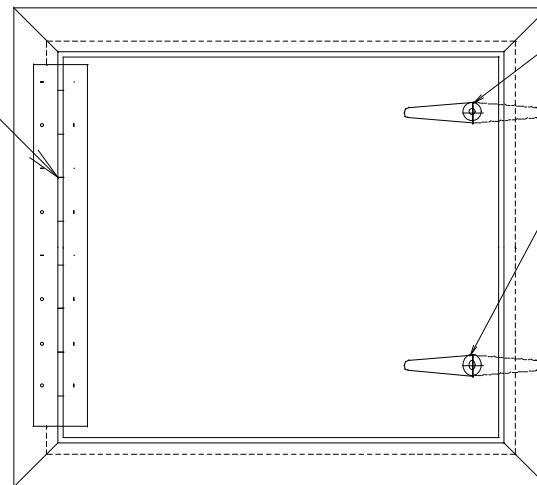
1225 Michelin, Laval (Quebec) H7L 4S2  
Ph: (450) 663-4457 Fax: (450) 663-0798  
Toll free: 1-888-774-7602 (1-888-SPIRO-02)

## ACCESS DOORS

### Heavy-Duty c/w Duro-Dyne SP-10 Handles

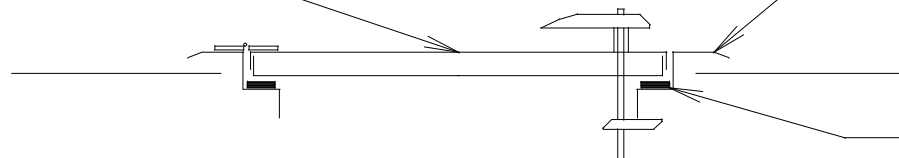
Piano Hinge

Duro-Dyne SP-10 Handles



Double walled  
20 ga panel

16 ga Frame



Neoprene Gasket